

MODEL	PIPE SIZE BSPP OR NPT	HEIGHT		BASE WIDTH		MAX WIDTH		DEPTH	
		mm	Inch	mm	Inch	mm	Inch	mm	Inch
CDAS HL 075	1"	1595	63	559	22	593	23	722	28
CDAS HL 080	1"	1745	69	559	22	594	23	722	28
CDAS HL 085	1-1/2"	2105	83	559	22	595	23	722	28

**NOTES**

\*\*\*\*\*

1. PRIMARY DIMENSIONS IN MM.
2. ALTERNATE DIMENSIONS IN BRACKETS IN INCHES.
3. CDAS HL075 PNEUMATIC ATEX SHOWN IN DRAWING.

ECO No. 0304038      REV B

PLEASE CONSIDER THE ENVIRONMENT PRIOR TO PRINTING THIS DRAWING

**DO NOT SCALE - IF IN DOUBT ASK**

BASED ON BS 8888      DIMENSIONS IN MILLIMETRES

GENERAL TOLERANCES UNLESS OTHERWISE STATED

MACHINED DIMENSIONS  
 .XX ±0.13      UP TO 300      ±0.3  
 .X ±0.25      OVER 300 TO 600      ±0.5

POSITIONAL TOLERANCE  
 PLAIN HOLES      Ø0.13  
 TAPPED HOLES      Ø0.26  
 CONCENTRICITY TOLERANCE      0.13 TIR

MACHINED SURFACES INDICATED THUS  
 SURFACE TEXTURE TO BS 1134  
 VALUES IN MICROMETRES

ANGLES ±1/2° (EXCEPT CHAMFERS)

METRIC THREADS TO BS 3643 MED. CLASS  
 EXTERNAL 6g    INTERNAL 6H  
 PIPE THREADS  
 PRESSURE TIGHT TO BS 21

SHEET METALWORK & FABRICATIONS  
 SHEET METALWORK DIMENSIONS  
 UP TO 500      ±0.5  
 OVER 500 TO 1000      ±1.0  
 OVER 1000      ±1.5

FABRICATED PARTS DIMENSIONS  
 UP TO 500      ±2  
 OVER 500 TO 1000      ±4  
 OVER 1000      ±6

POSITIONAL TOLERANCE FOR PLAIN & TAPPED HOLES  
 UP TO 500      Ø1.0  
 OVER 500      Ø2.0

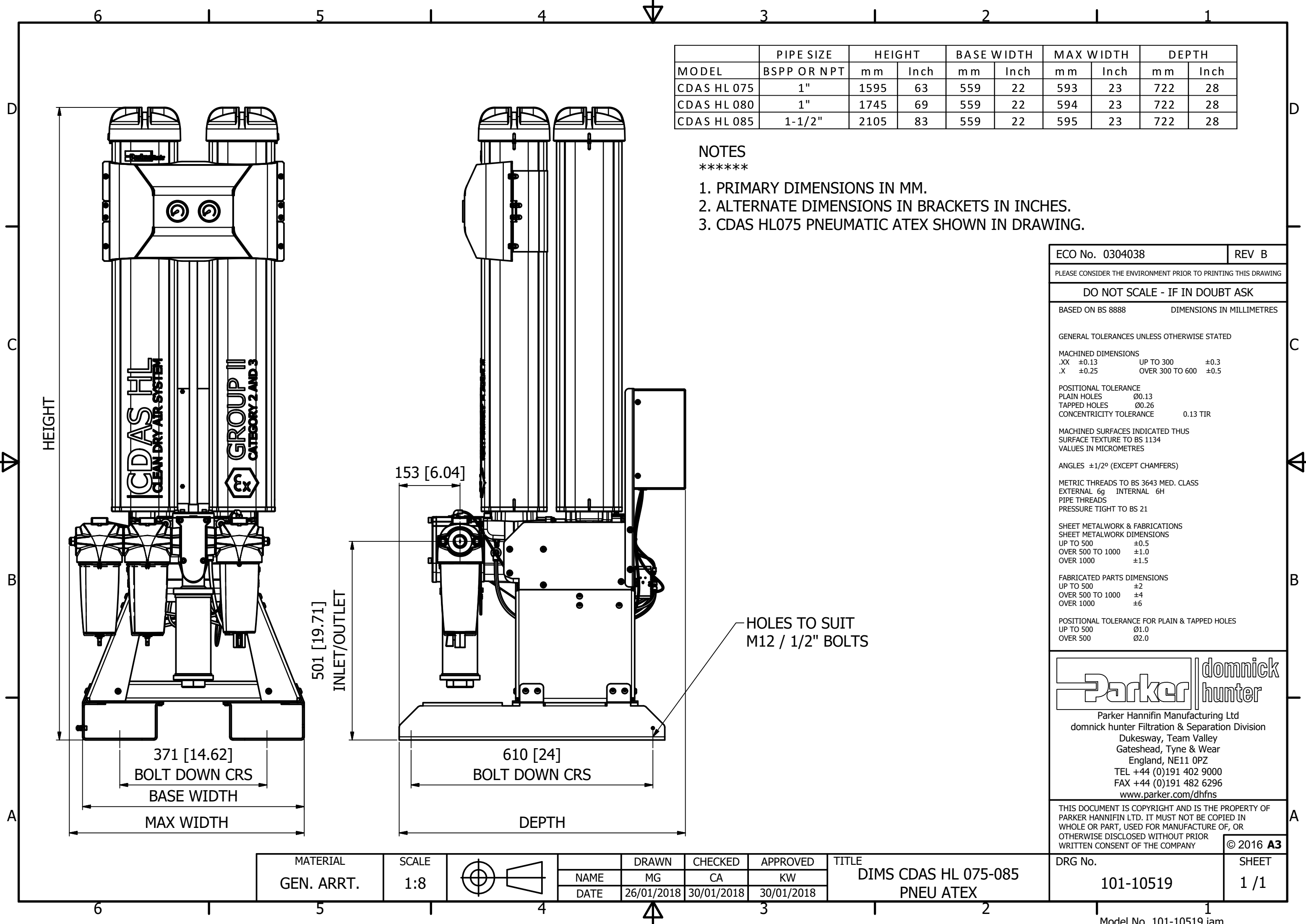


Parker Hannifin Manufacturing Ltd  
 domnick hunter Filtration & Separation Division  
 Dukesway, Team Valley  
 Gateshead, Tyne & Wear  
 England, NE11 0PZ  
 TEL +44 (0)191 402 9000  
 FAX +44 (0)191 482 6296  
 www.parker.com/dhfn

THIS DOCUMENT IS COPYRIGHT AND IS THE PROPERTY OF  
 PARKER HANNIFIN LTD. IT MUST NOT BE COPIED IN  
 WHOLE OR PART, USED FOR MANUFACTURE OF, OR  
 OTHERWISE DISCLOSED WITHOUT PRIOR  
 WRITTEN CONSENT OF THE COMPANY

© 2016 **A3**

DRG No.	SHEET
101-10519	1 / 1



MATERIAL	SCALE		DRAWN	CHECKED	APPROVED	TITLE	
GEN. ARRT.	1:8		NAME	MG	CA		KW
			DATE	26/01/2018	30/01/2018		30/01/2018

TITLE  
 DIMS CDAS HL 075-085  
 PNEU ATEX